



# MINI MAREY MODEL

## SHOWER TANKLESS WATER HEATER

### INSTRUCTION MANUAL

Keep this manual with you after your unit has been installed, you may need it for further technical information.



[WWW.MAREY.COM](http://WWW.MAREY.COM)





## Congratulations!

You've just purchased a new Mini Marey tankless water heater and will soon begin to enjoy the benefits of "going tankless."

Take the time to thoroughly read and understand this safety and installation manual in its entirety before you attempt to install your new Mini Marey tankless water heater, as it contains important safety tips and instructions.

Please carefully read all instructions and warnings. Should you have any questions, please visit [www.marey.com](http://www.marey.com) for installation videos and FAQ.

Please keep this manual for future reference.



## INDEX

INSTALLING YOUR SHOWER HEATER .....	04
INSTALLING YOUR SHOWER HEATER - MINI MAREY .....	05
MINI MAREY TECHNICAL SPECIFICATIONS .....	06
CUSTOMER SERVICE .....	07
OTHER PRODUCTS .....	07



## INSTALLING YOUR SHOWER HEATER

1. Wrap with teflon:

- a) Both ends of a ½" straight nipple (not included);
- b) The threads on the heater output.

2. Screw one end of the nipple into the back of the heater.

3. Screw the heater onto the pipe, holding the heater cover firmly. Tighten the heater with an adjustable wrench.

4. Screw on the shower head.

**EXTREMELY IMPORTANT!!** DO NOT CONNECT POWER BEFORE ALLOWING WATER TO FLOW THROUGH THE SHOWER HEATER FOR 10 SECONDS OR LONGER. DAMAGE MAY OCCUR TO THE UNIT WHICH COULD INVALIDATE THE WARRANTY.

Turn faucet on and allow the water run for 10 seconds, then attach the shower head.

**Note:** Only use the shower head included with this Marey® Heater. Damage may occur if a replacement head is installed and this could also void your warranty.

5. Plug the heater to a receptacle\* 3.5 feet away from the shower area.

\*30 amp electric circuit for exclusive use of the heater. DO NOT USE EXTENSIONS.

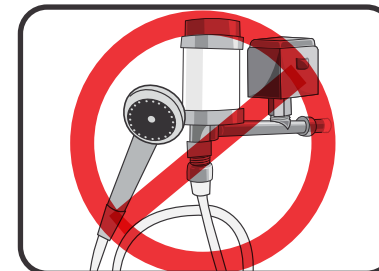
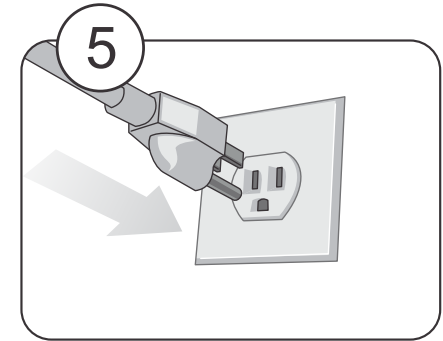
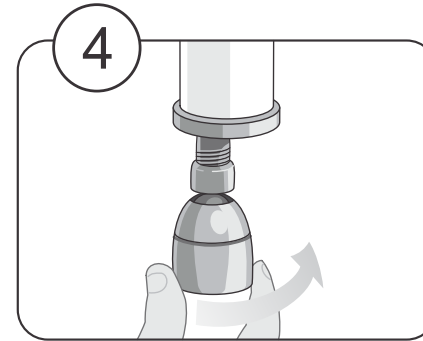
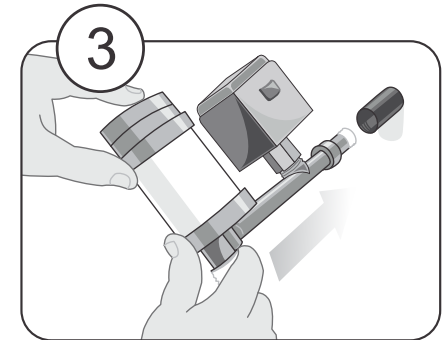
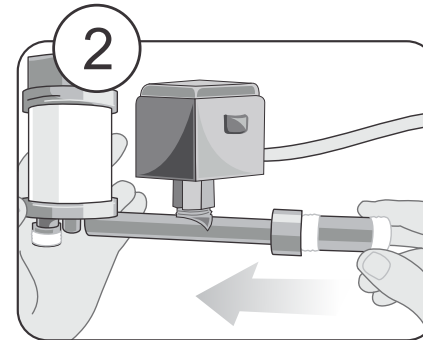
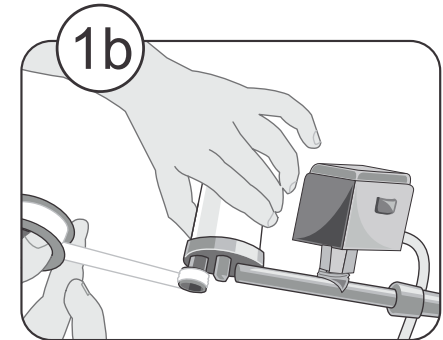
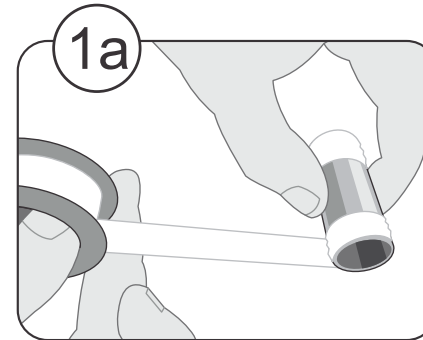
**CONGRATULATIONS INSTALLATION IS NOW COMPLETE!**

Once the faucet is turned on, hot water will come out instantly.

**MINI MAREY:** SET THE TEMPERATURE BY REGULATING THE FLOW OF WATER.



## INSTALLING YOUR SHOWER HEATER - MINI MAREY



DO NOT use a plastic shower head with this equipment, that obstruct the water flow

## MINI MAREY TECHNICAL SPECIFICATIONS

TECHNICAL SPECIFICATIONS		MINI MAREY	
Voltage	110V	220V	
Voltage x Amperage = Power	110Vx23,5A=2.6kW	220Vx13A=2.9kW	
Min./Max. GPM	0.85 - 1.5 GPM	0.85 - 1.5 GPM	
Temperature Control	Water Pressure	Water Pressure	
Temperature Increase	110V = 10°F - 23°F	220V = 10°F - 30°F	
Width x Height x Depth	5.3" x 8.7" x 3.9"	5.3" x 8.7" x 3.9"	
Weight	3.5 lbs	3.5 lbs	

TEMP. INCREASE PER GPM		
	MINI MAREY	Temp. Increase
GPM	0.85	36°
	1.0	21°
	1.25	14°
	1.5	12°

Temperature increases listed are based on use of the water heater under optimal conditions with an incoming water temperature of 48°F. Variable factors such as incorrect or imperfect installation or warmer incoming water temperature may yield different results.

## CUSTOMER SERVICE



At Marey, we pride ourselves on the excellence of our customer service and support team.

Please feel free to contact us if you have any questions about our products, warranty service, or if you need assistance installing a unit. We also strive for continuous improvement, so we welcome your comments, feedback and suggestions.

## OTHER PRODUCTS

Please visit our website to get to know more about other Marey products.



AQUAMATIC



MINI MAREY



SANTON



POWERPAK



PORTABLE



POWER GAS

Delbrey Street, 211  
San Juan, Puerto Rico  
00912

[www.marey.com](http://www.marey.com)